

The Revolution Valve

Unique, next generation, shear and seal technology for subsea well intervention, providing twice the performance at half the cost.

Gavin Cowie - Managing Director

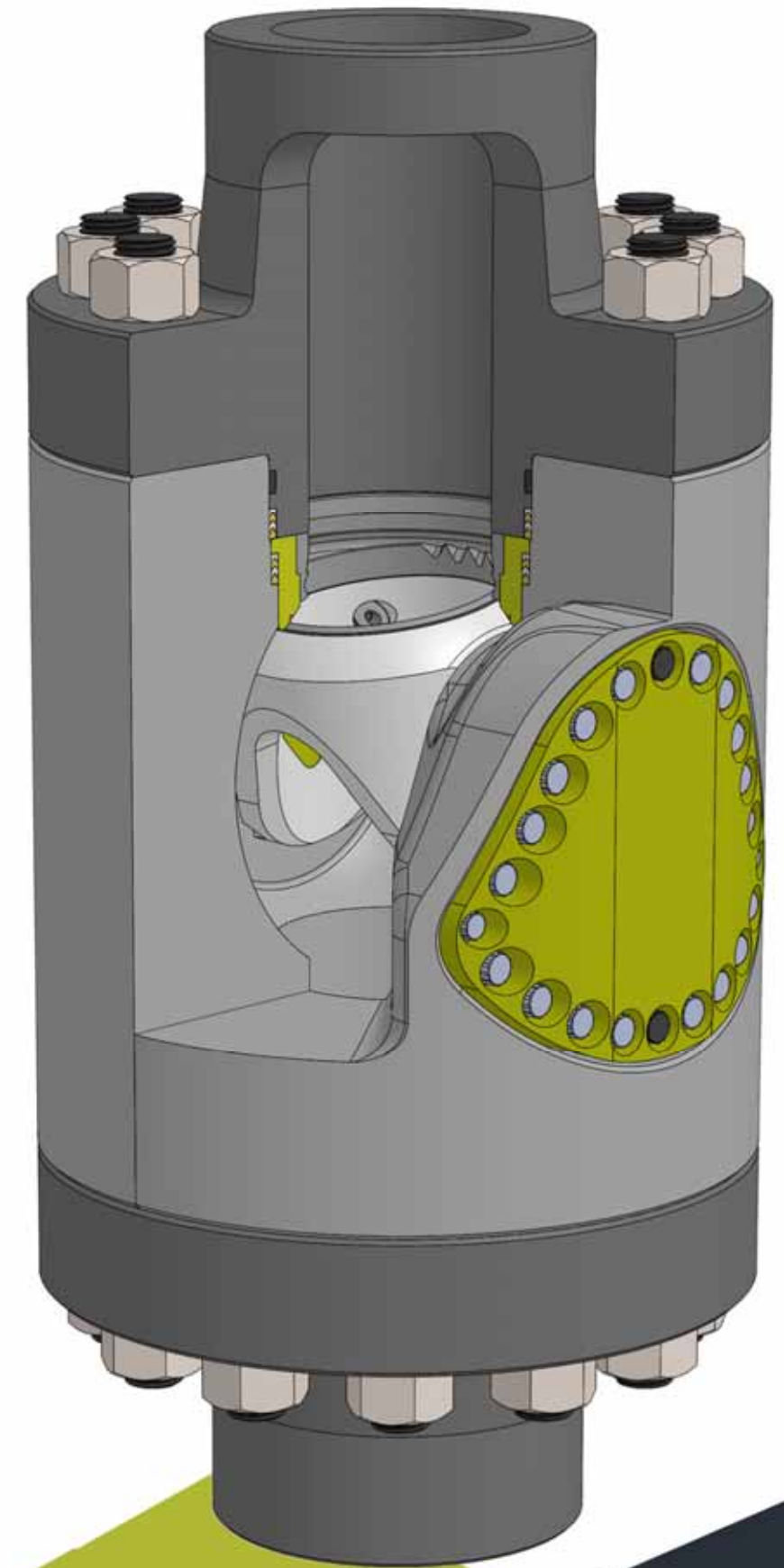
Subsea Expo, Aberdeen, 1-3 Feb 2017

The Challenge

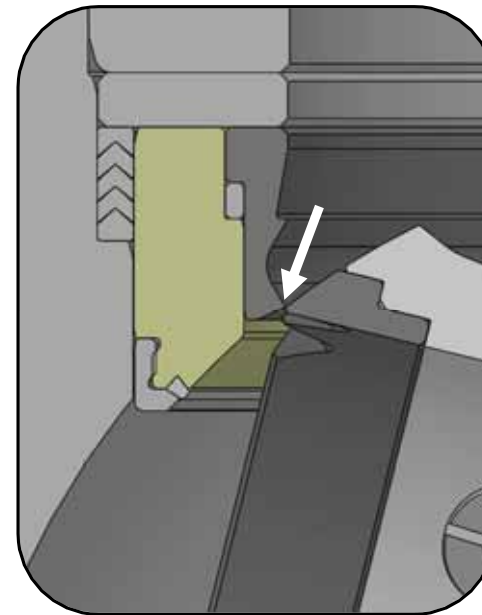
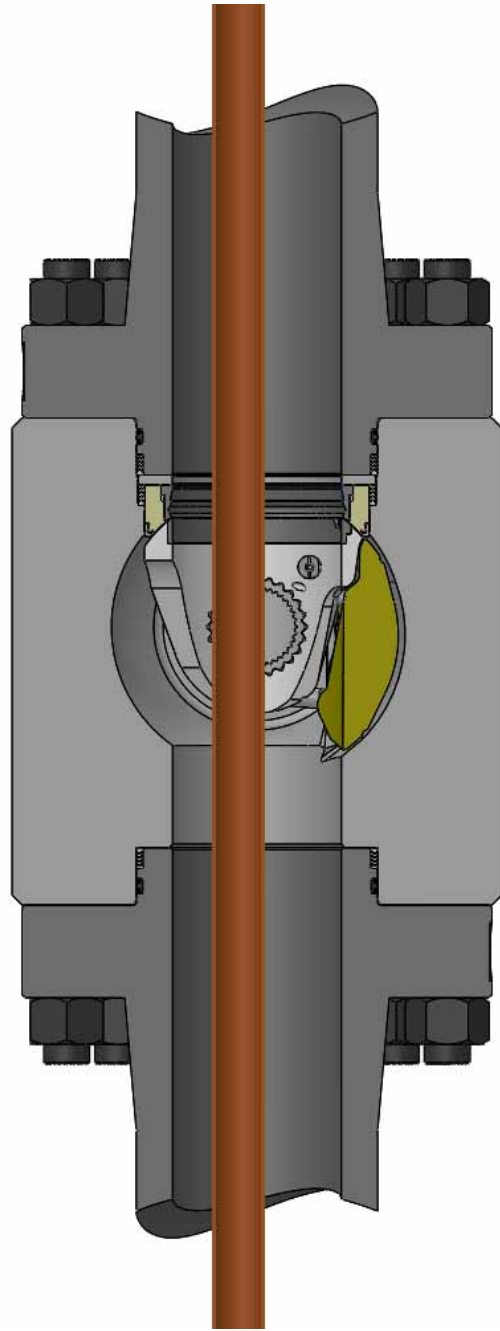
- Ball valves were never intended to be cutting devices
- Complex, re-engineered, old technology is becoming cost prohibitive to manufacture and maintain, is unreliable and has reached its technical limit
- Well bore sizes are increasing
- Operating environment is more challenging
- Industry standards becoming more stringent
- Economic climate

The Innovation

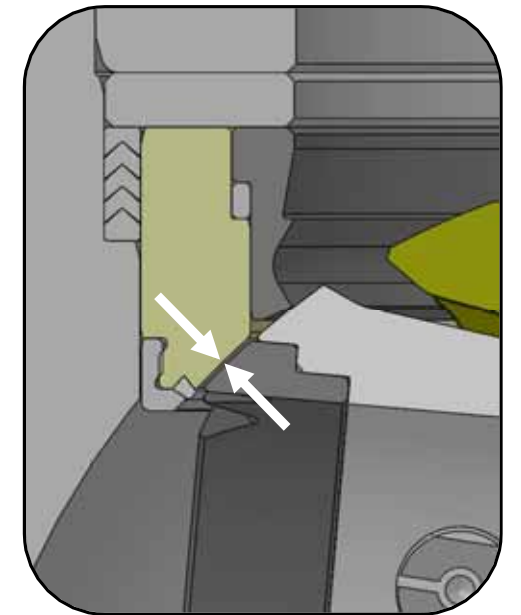
- The ONLY compact valve on the market that can cut and seal reliably
- Separate cutting and sealing components
- External rotary actuators
- Resilient seals
- Flanged connections
- Easily maintained, strong and simple design
- Low cost
- Fast turnaround



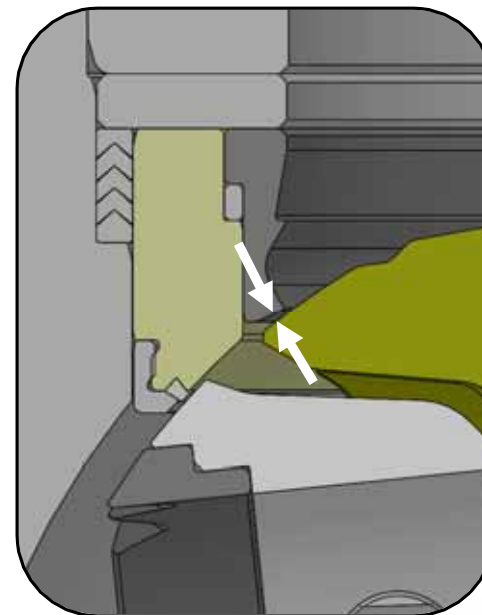
The Revolution Principle



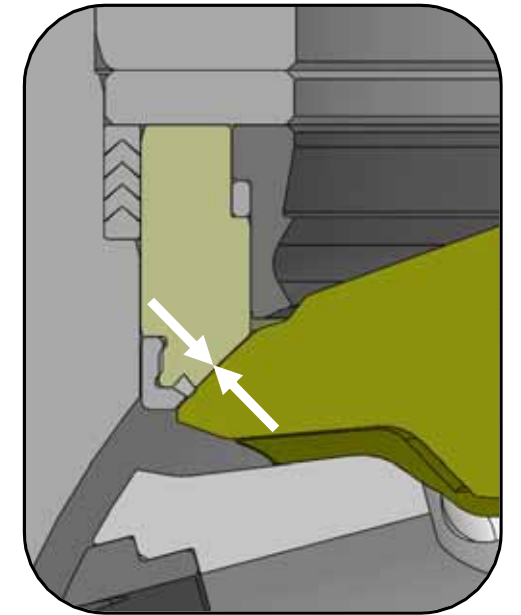
1. Shearing



2. Seat Clearance



3. Flapper Clearance



4. Sealing

Cutting Evaluations



Applications

- Solutions for the complete lifecycle of the well:
 - exploration & appraisal
 - completion & workover
 - abandonment
- In-riser landing string systems, in-riser and open water intervention valves, subsea test tree systems.
- Cutting capability up to 2³/₈" coiled tubing
- Landing strings from 5" to 7", 10,15 & 20ksi WP & temperature ratings to 180°C.

Questions?

Gavin Cowie - Managing Director
gcowie@interventek.com

Stand 157

Subsea Expo, AECC, 1-3 Feb 2017